

## Hydraulic pumps

Hyva offers a complete range of gear and piston pumps with a displacement of 20 until 113 cm<sup>3</sup>/rev and a working pressure up to 350 bar.

## Gear pumps

### Brite series

The main advantages of the BRITE gear pumps are:

- ∞ Top quality pump
- ∞ Bi-directional
- ∞ Rear and side mounting of the hoses
- ∞ maintenance free ► no standstill
- ∞ Available in 3 and 4 holes version

## Piston pumps

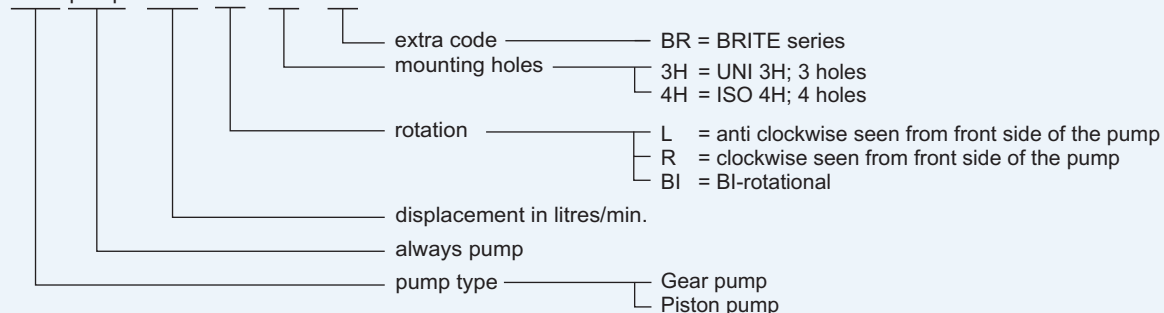
For high pressure and long continuous use we strongly advise to use a Hyva piston pump.

**Besides the standard Hyva pump range listed in this catalogue Hyva offers a number of special pumps for truck applications.**

- ∞ Special gear and piston pumps available on request
- ∞ Double gear pumps
- ∞ Double piston pumps
- ∞ Piston pumps for engine P.T.O. with by-pass valve
- ∞ Pumps produced by third parties like Parker, Sunfab and others.
- ∞ Pump elongation adaptors

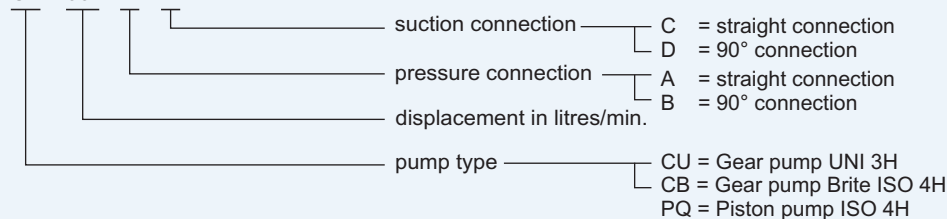
## Code hydraulic pumps

Gear pump - 073L - BI - 4H - BR



## Code hydraulic pump kits

CB - 061 - A - D

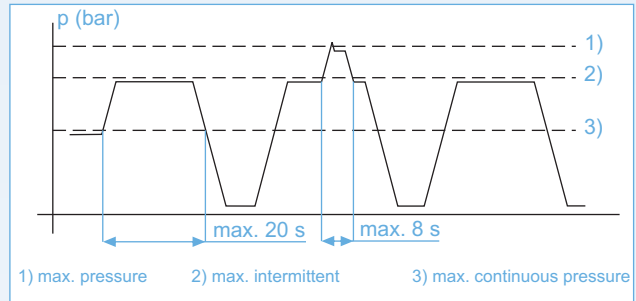


# Hyva Pumps

## Gear pumps UNI 3H

The pressures that matter in application of pumps are:

- Max. continuous pressure; pressure allowed constantly, without peaks.
- Max. intermittent pressure; pressure allowed for maximum 20 seconds.
- Max. peak pressure; pressure allowed for a short interval of max 8 seconds.

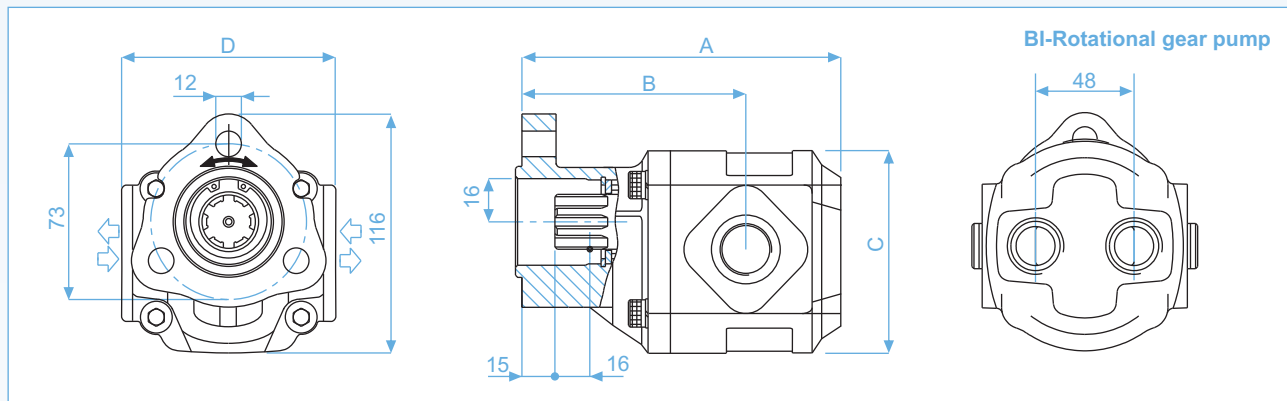


For tippers we generally work with max. intermittent pressure as the tipping cycle does not require maximum pressure for long intervals. For moving floor

trailers and cranes we advise to use piston pumps. Piston Pumps require extra attention when it comes to suction characteristics. Rotation Frequency (RF) should not be too high as this negatively influences the suction performance of the pump, especially when the pump is mounted above the suction connection to the oil tank. Max. Self Priming Speed (MSPS) is the speed allowed for which the pump suction still performs well, with pump fitted above tank level. Max. rotation frequency, allowed with pump below tank.

### Gear pumps UNI 3H: BI-Rotational

Part no.	Description	displacement	weight	kit no.	suction side	suction adapter	press. side	press. adapter	rotation frequency	work. press.
145 63 028	Gear pump 020L-BI-3H	20 cm <sup>3</sup>	5.3 kg	CU020	G $\frac{1}{2}$ "	1 $\frac{1}{4}$ "	G $\frac{1}{2}$ "	$\frac{3}{4}$ "	2000	280 bar
145 63 033	Gear pump 025L-BI-3H	25 cm <sup>3</sup>	5,7 kg	CU025	G $\frac{3}{4}$ "	1 $\frac{1}{4}$ "	G $\frac{3}{4}$ "	$\frac{3}{4}$ "	2000	240 bar
145 63 043	Gear pump 032L-BI-3H	32 cm <sup>3</sup>	6.0 kg	CU032	G $\frac{3}{4}$ "	1 $\frac{1}{4}$ "	G $\frac{3}{4}$ "	$\frac{3}{4}$ "	1800	210 bar



Part no.	Description	A	B	C	D
145 63 028	Gear pump 020L-BI-3H	157	119	102	100
145 63 033	Gear pump 025L-BI-3H	160	112	102	100
145 63 043	Gear pump 032L-BI-3H	175	122	102	100

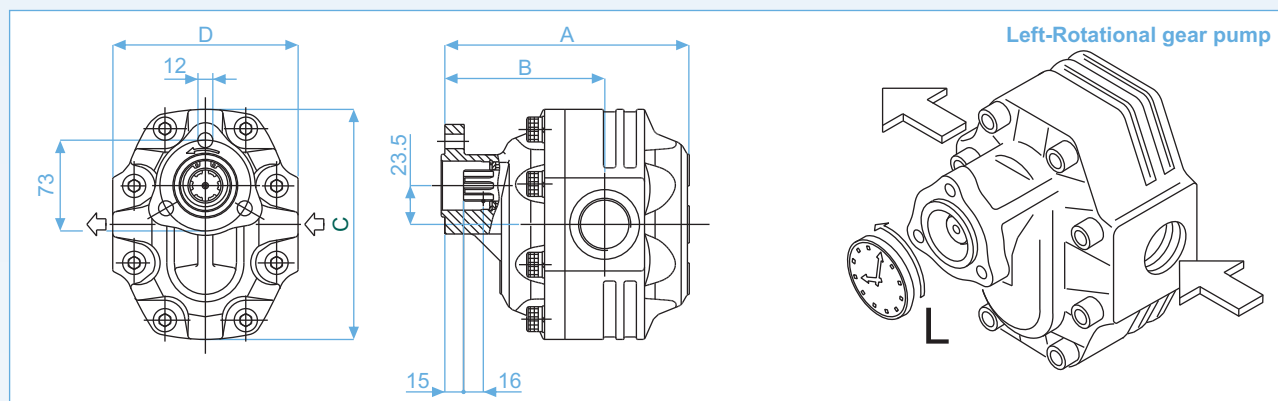


# Hyva Pumps

## Gear pumps UNI 3H

### Gear pumps UNI 3H series: L+R-Rotational

Part no.	Description	displacement	weight	kit no.	suction side	suction adapter	press. side	press. adapter	rotation frequency	work. press.
145 63 170	Gear pump 27L-L-3H	26 cm <sup>3</sup>	9,8 kg	CU127	G $\frac{3}{4}$ "	1 $\frac{3}{4}$ "	G $\frac{3}{4}$ "	$\frac{3}{4}$ "	3000	315 bar
145 63 180	Gear pump 27L-R-3H	26 cm <sup>3</sup>	9,8 kg	CU227	G $\frac{3}{4}$ "	1 $\frac{3}{4}$ "	G $\frac{3}{4}$ "	$\frac{3}{4}$ "	3000	315 bar



Part no.	Description	A	B	C	D
145 63 170	Gear pump 27L-L-3H	157	107	148	120
145 63 180	Gear pump 27L-R-3H	157	107	148	120

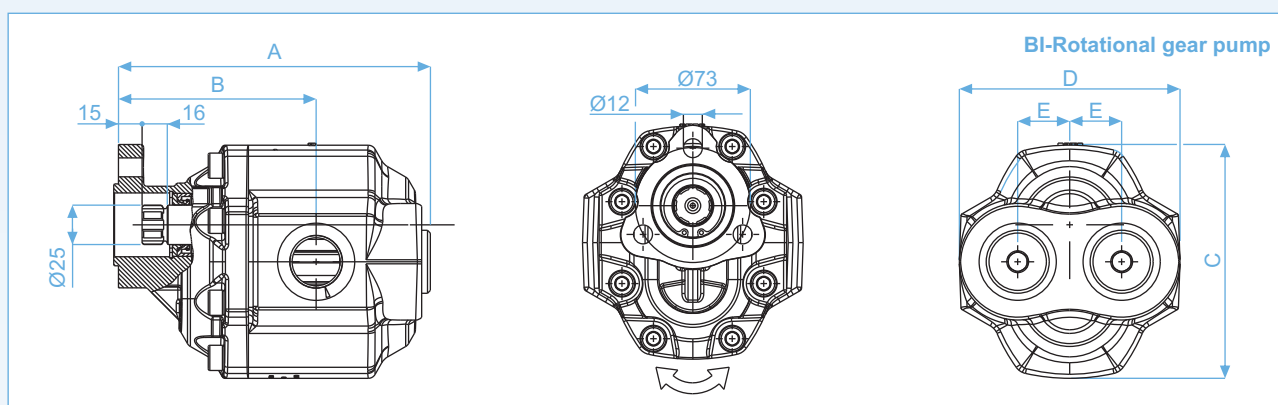


# Hyva Pumps

## Gear pumps Uni 3H Brite

### Gear pumps UNI 3H: BI-Rotational

Part no.	Description	displacement	weight	kit no.	suction side	suction adapter	press. side	press. adapter	rotation frequency	work. press.
145 63 034	Gear pump 035L-BI-3H	34 cm <sup>3</sup>	12 kg	CU034	G <sup>3</sup> / <sub>4</sub> "	1 <sup>1</sup> / <sub>4</sub> "	G <sup>3</sup> / <sub>4</sub> "	<sup>3</sup> / <sub>4</sub> "	2500	250 bar
145 63 052	Gear pump 052L-BI-3H	51 cm <sup>3</sup>	13 kg	CU052	G1"	1 <sup>3</sup> / <sub>4</sub> "	G1"	1"	2500	275 bar
145 63 061	Gear pump 061L-BI-3H	61 cm <sup>3</sup>	13,5 kg	CU061	G1"	1 <sup>3</sup> / <sub>4</sub> "	G1"	1"	2500	250 bar
145 63 082	Gear pump 082L-BI-3H	81 cm <sup>3</sup>	15,5 kg	CU082	G1"	1 <sup>3</sup> / <sub>4</sub> "	G1"	1"	2500	225 bar



Part no.	Description	A	B	C	D	E
145 63 034	Gear pump 035L-BI-3H	168	110	149	128	30
145 63 052	Gear pump 052L-BI-3H	179	112	149	128	30
145 63 061	Gear pump 061L-BI-3H	185	118	149	128	30
145 63 082	Gear pump 082L-BI-3H	198	126	149	140	30

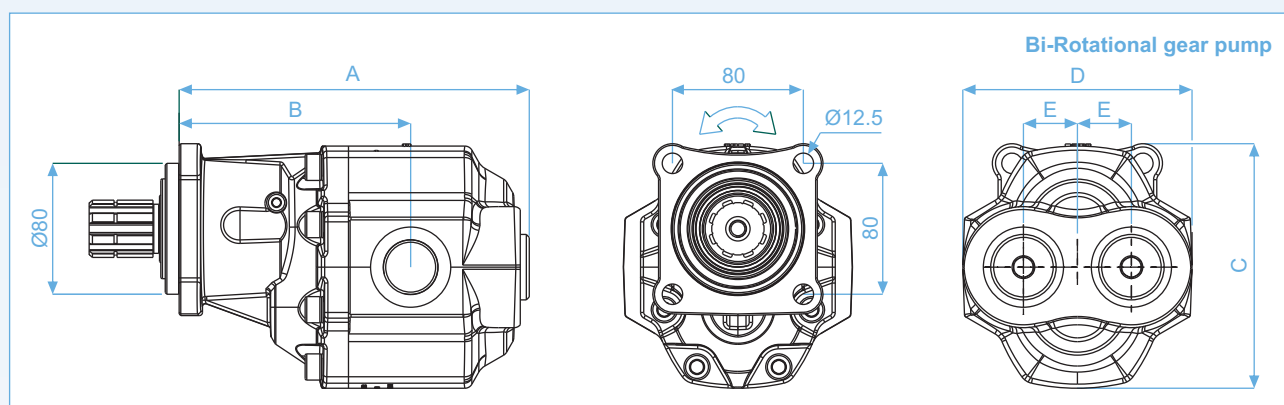


# Hyva Pumps

## Gear pumps ISO 4H BRITE

### Gear pumps ISO 4H BR series: BI-Rotational

Part no.	Description	displacement	weight	kit no.	suction side	suction adapter	press. side	press. adapter	rotation frequency	work. press.
145 62 005	Gear pump 035L-BI-4H-BR	35 cm <sup>3</sup>	12.6 kg	CB035	G <sup>3</sup> / <sub>4</sub> "	1 <sup>1</sup> / <sub>4</sub> "	G <sup>3</sup> / <sub>4</sub> "	<sup>3</sup> / <sub>4</sub> "	2500	250 bar
145 62 010	Gear pump 052L-BI-4H-BR	52 cm <sup>3</sup>	13.5 kg	CB052	G1"	1 <sup>3</sup> / <sub>4</sub> "	G1"	<sup>3</sup> / <sub>4</sub> "	2500	275 bar
145 62 015	Gear pump 061L-BI-4H-BR	61 cm <sup>3</sup>	14.1 kg	CB061	G1"	1 <sup>3</sup> / <sub>4</sub> "	G1"	<sup>3</sup> / <sub>4</sub> "	2500	250 bar
145 62 020	Gear pump 073L-BI-4H-BR	73 cm <sup>3</sup>	15.1 kg	CB073	G1"	1 <sup>3</sup> / <sub>4</sub> "	G1"	1"	2500	225 bar
145 62 025	Gear pump 082L-BI-4H-BR	82 cm <sup>3</sup>	16.1 kg	CB082	G1"	1 <sup>3</sup> / <sub>4</sub> "	G1"	1"	2500	225 bar
145 62 030	Gear pump 092L-BI-4H-BR	92 cm <sup>3</sup>	19.4 kg	CB092	G1 <sup>1</sup> / <sub>4</sub> "	1 <sup>3</sup> / <sub>4</sub> "	G1 <sup>1</sup> / <sub>4</sub> "	1"	2250	265 bar
145 62 035	Gear pump 113L-BI-4H-BR	113 cm <sup>3</sup>	20.5 kg	CB113	G1 <sup>1</sup> / <sub>4</sub> "	1 <sup>3</sup> / <sub>4</sub> "	G1 <sup>1</sup> / <sub>4</sub> "	1"	2250	225 bar



Part no.	Description	A	B	C	D	E
145 62 005	Gear pump 035L-BI-4H-BR	189	131	149	128	30
145 62 010	Gear pump 052L-BI-4H-BR	200	133	149	128	30
145 62 015	Gear pump 061L-BI-4H-BR	206	139	149	128	30
145 62 020	Gear pump 073L-BI-4H-BR	214	142	149	140	33
145 62 025	Gear pump 082L-BI-4H-BR	218	147	149	140	33
145 62 030	Gear pump 092L-BI-4H-BR	236	156	166	141	33
145 62 035	Gear pump 113L-BI-4H-BR	246	166	166	141	33

